

PLEASE CHECK WWW.MOLEX.COM FOR LATEST PART INFORMATION

Part Number: [0444721455](#)
Status: **Active**
Description: 4.20mm (.165") Pitch Mini-Fit HCS™ Header, Dual Row, Vertical, without Snap-in Plastic Peg PCB Lock, 14 Circuits, PA Polyamide Nylon 6/6 94V-0, without Drain Holes

Documents:

[3D Model](#) [Product Specification PS-44476-001 \(PDF\)](#)
[Drawing \(PDF\)](#) [RoHS Certificate of Compliance \(PDF\)](#)
[Packaging Specification \(PDF\)](#)

Agency Certification

CSA LR19980
 UL E29179

General

Product Family PCB Headers
 Series [44472](#)
 Application Wire-to-Board
 Comments Square Pin|Solder Type
 Product Name Mini-Fit HCS™

Physical

Breakaway No
 Circuits (Loaded) 14
 Circuits (maximum) 14
 Color - Resin Natural (White)
 Durability (mating cycles max) 30
 Flammability 94V-0
 Glow-Wire Compliant No
 Material - Metal High Performance Alloy (HPA)
 Material - Plating Mating Tin
 Material - Plating Termination Tin
 Material - Resin Nylon
 Number of Rows 2
 Orientation Vertical
 PCB Locator Yes
 PCB Retention None
 PCB Thickness Recommended (in) 0.070 In
 PCB Thickness Recommended (mm) 1.80 mm
 Packaging Type Tray
 Pitch - Mating Interface (in) 0.165 In
 Pitch - Mating Interface (mm) 4.20 mm
 Plating min: Mating (µin) 100
 Plating min: Mating (µm) 2.50
 Plating min: Termination (µin) 100
 Plating min: Termination (µm) 2.50
 Polarized to PCB Yes
 Shrouded Partial
 Stackable No
 Surface Mount Compatible (SMC) No
 Temperature Range - Operating -40°C to +105°C
 Termination Interface: Style Through Hole

Electrical

Current - Maximum per Contact 11A
 Voltage - Maximum 600V

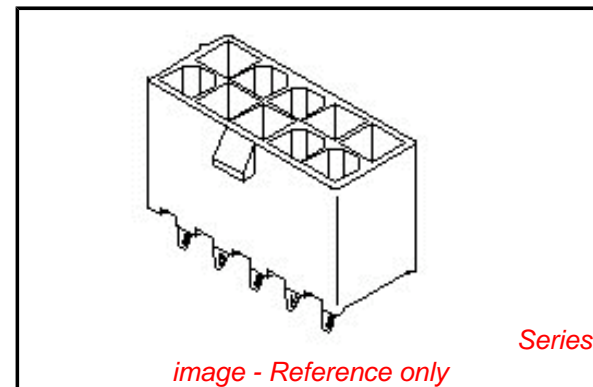


image - Reference only

EU RoHS

ELV and RoHS Compliant
REACH SVHC Contains SVHC: No
Halogen-Free Status

China RoHS



Need more information on product environmental compliance?

Email productcompliance@molex.com
 For a multiple part number RoHS Certificate of Compliance, [click here](#)

Please visit the [Contact Us](#) section for any non-product compliance questions.

Search Parts in this Series

[44472Series](#)

Mates With

[5557d](#)

Solder Process Data

| | |
|--|------------------------|
| Duration at Max. Process Temperature (seconds) | 5 |
| Lead-free Process Capability | Wave Capable (TH only) |
| Max. Cycles at Max. Process Temperature | 1 |
| Process Temperature max. C | 260 |

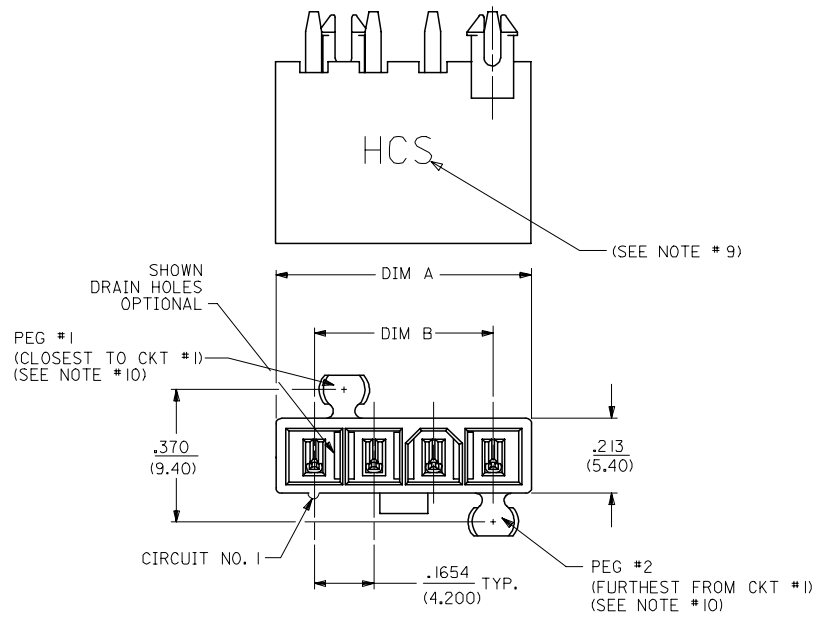
Material Info**Reference - Drawing Numbers**

| | |
|-----------------------|-----------------------------|
| Product Specification | PS-44476-001, RPS-44476-001 |
| Sales Drawing | SDA-44472-**** |

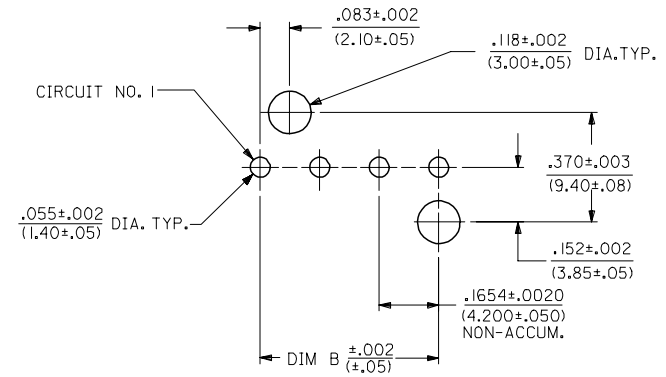
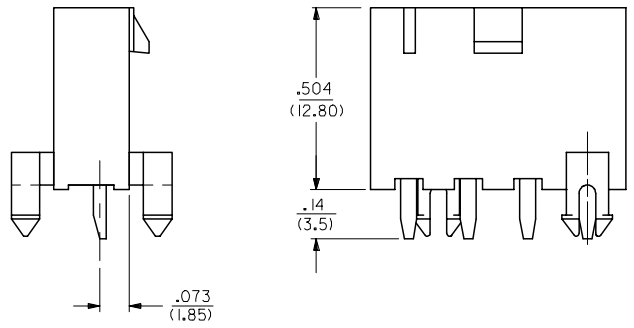
This document was generated on 04/21/2010

PLEASE CHECK WWW.MOLEX.COM FOR LATEST PART INFORMATION

| CKT SIZE | DIM A | DIM B |
|----------|------------------|------------------|
| 4 | .709 (18.00) | .496 (12.60) |
| 5 | .874 (22.20) | .661 (16.80) |
| 6 | 1.039 (26.40) | .827 (21.00) |
| 7 | 1.205 (30.60) | .992 (25.20) |
| 8 | 1.370 (34.80) | 1.157 (29.40) |
| 9 | 1.535 (39.00) | 1.323 (33.60) |
| 10 | 1.701 (43.20) | 1.488 (37.80) |
| 11 | 1.866 (47.40) | 1.654 (42.00) |
| 12 | 2.031 (51.60) | 1.819 (46.20) |



- NOTES:
- MATERIALS:
HOUSING:
1=NYLON 6/6, UL94 V-2, COLOR: NATURAL
2=NYLON 6/6, UL94 V-0, COLOR: NATURAL
3=NYLON 6/6, UL94 V-2, COLOR: BLACK
TERMINALS:
COPPER ALLOY
 - TERMINAL PLATING:
1=.000100/(0.00254) MIN. BRIGHT TIN OVER
.000050/(0.00127) MIN. NICKEL
2=.000030/(0.00076) MIN. SELECT GOLD AND
.000100/(0.00254) MIN. SELECT MATTE TIN
OVER .000050/(0.00127) MIN. NICKEL OVERALL
3=.000100/(0.00254) MIN. MATTE TIN OVER
.000050/(0.00127) MIN. NICKEL
*THE PRIMARY SHIPPING CARTON WILL BE LABELED
"ELV AND RoHS COMPLIANT"; CARTONS WITHOUT THIS
LABEL MAY CONTAIN PRODUCT WITH TIN-LEAD PLATING.
 - PRODUCT SPECIFICATION: PS-44476-001
 - PACKAGING: SEE CHARTS
 - PART MATES WITH MINI-FIT JR. RECEPTACLE NO. 5557.
 - PART IS NOT DESIGNED FOR CURRENT SHARING.
 - PARTS ARE NOT TO BE MATED OR UN-MATED WHILE
CIRCUITS ARE LIVE.
 - 44472-2470 ONLY FOR WIDER LOCKING RAMP.
 - PARTS PRODUCED AFTER JULY 1, 2004 WILL HAVE "HCS"
MARKING INSTEAD OF BLACK STRIPE.
 - SEE CHART FOR PARTS WITH PEGS REMOVED.
 - PART CONFORMS TO CLASS 'B' REQUIREMENTS OF
COSMETIC SPECIFICATION PS-45499-002.



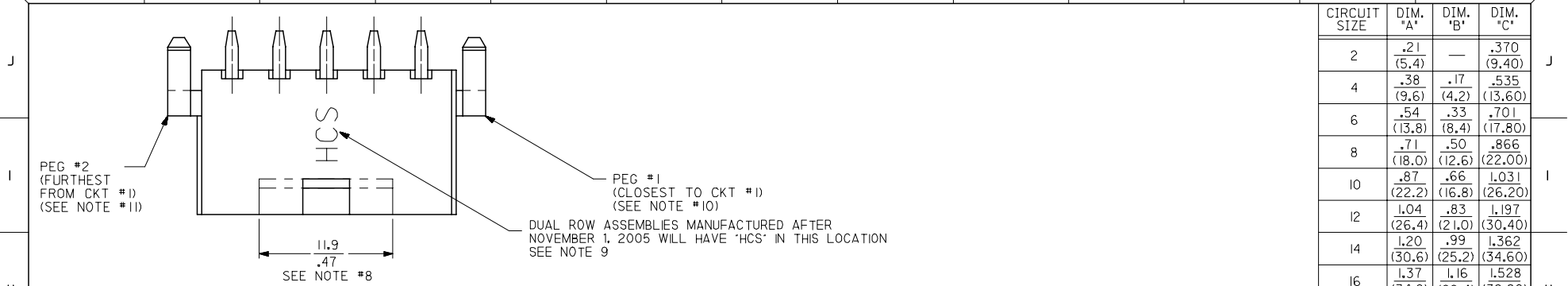
| | |
|----|---------|
| 10 | L |
| 9 | L |
| 8 | L |
| 7 | L |
| 6 | L |
| 5 | L |
| 4 | L |
| 3 | L |
| 2 | L |
| 1 | L |
| | SHT REV |

LEGEND:
44472 - ** **
CIRCUIT SIZE
(04-12 FOR SINGLE ROW)
(02-24 FOR DUAL ROW)
ASSEMBLY VERSION
(01 THRU 49 FOR SINGLE ROW)
(50 THRU 99 FOR DUAL ROW)

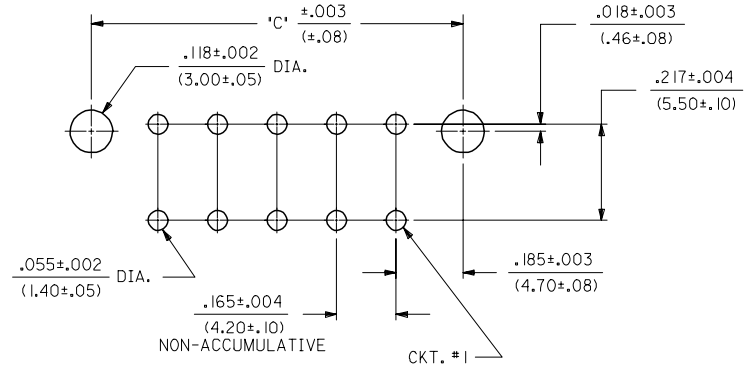
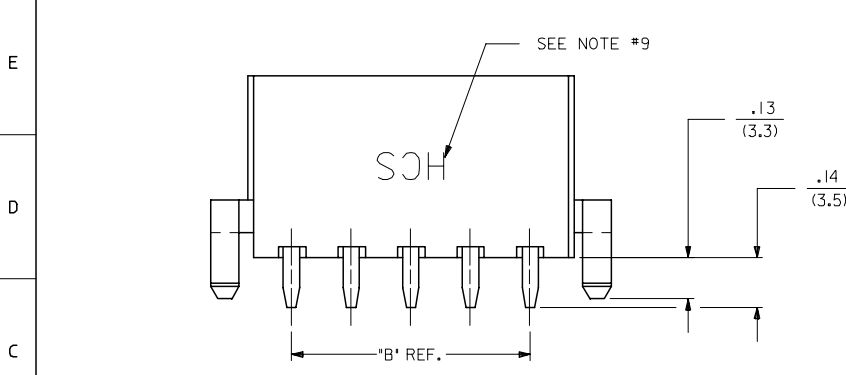
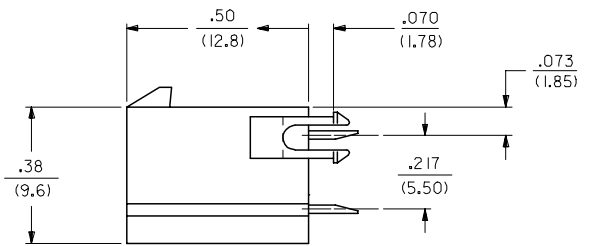
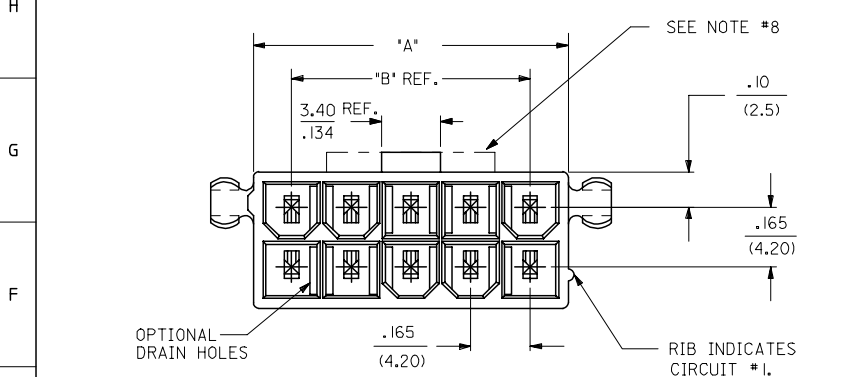
SEE SHT. 2 FOR DUAL ROW
* THE CHART FOR SINGLE ROW PRODUCT IS ON PAGE 7

| STANDARDIZE NOTES EC NO: UCP2008-0153 DRW: NLSCHM1DT CHKD: ADERR APPR: FSM TH | QUALITY SYMBOLS =0 =0 | GENERAL TOLERANCES (UNLESS SPECIFIED) | | DIMENSION STYLE | | SCALE | DESIGN UNITS | THIRD ANGLE PROJECTION | |
|---|-----------------------------|---------------------------------------|------|-----------------|------------|--|--------------|------------------------|-----------|
| | | mm | INCH | IN/MM | DATE | 4:1 | METRIC | | |
| REV | DESCRIPTION | 4 PLACES ± --- ± --- | | DRAWN BY | DATE | TITLE MINI-FIT VERT HDR ASSY W & W/O PEGS/DRAIN HOLES SINGLE AND DUAL ROW | MATERIAL NO. | DOCUMENT NO. | SHEET NO. |
| | | 3 PLACES ± --- ± .015 | | GEP | 1994/07/25 | | | | |
| | | 2 PLACES ± 0.38 ± .020 | | CHECKED BY | DATE | | | | |
| | | 1 PLACE ± 0.50 ± --- | | RJF | 1994/07/25 | | | | |
| | | ANGULAR ±1/2° | | APPROVED BY | DATE | | | | |
| | | | | RJF | 1994/07/25 | MOLEX INCORPORATED | | | 1 OF 10 |
| DRAFT WHERE APPLICABLE MUST REMAIN WITHIN DIMENSIONS | | SEE CHARTS | | SDA-44472-**** | | THIS DRAWING CONTAINS INFORMATION THAT IS PROPRIETARY TO MOLEX INCORPORATED AND SHOULD NOT BE USED WITHOUT WRITTEN PERMISSION | | | |

13 12 11 10 9 8 7 6 5 4 3 2 1



| CIRCUIT SIZE | DIM. 'A' | DIM. 'B' | DIM. 'C' |
|--------------|----------------|----------------|------------------|
| 2 | .21 (5.4) | — | .370 (9.40) |
| 4 | .38 (9.6) | .17 (4.2) | .535 (13.60) |
| 6 | .54 (13.8) | .33 (8.4) | .701 (17.80) |
| 8 | .71 (18.0) | .50 (12.6) | .866 (22.00) |
| 10 | .87 (22.2) | .66 (16.8) | 1.031 (26.20) |
| 12 | 1.04 (26.4) | .83 (21.0) | 1.197 (30.40) |
| 14 | 1.20 (30.6) | .99 (25.2) | 1.362 (34.60) |
| 16 | 1.37 (34.8) | 1.16 (29.4) | 1.528 (38.80) |
| 18 | 1.54 (39.0) | 1.32 (33.6) | 1.693 (43.00) |
| 20 | 1.70 (43.2) | 1.49 (37.8) | 1.858 (47.20) |
| 22 | 1.87 (47.4) | 1.65 (42.0) | 2.024 (51.40) |
| 24 | 2.03 (51.6) | 1.82 (46.2) | 2.189 (55.60) |



RECOMMENDED HOLE LAYOUT FOR .070/(1.78) MAX. THICK P. C. BOARD
VIEWED FROM COMPONENT SIDE

SEE SHT. I FOR SINGLE ROW

| | | | | | | | | | |
|--|--|---|-------------------|---------------------------------|--|--------------------|------------------------|--------------------------------|----------------------|
| STANDARDIZE NOTES EC NO: UCP2008-0153 DRAWN: LSCHMIDT 2007/09/26 CHKD: ADERR 2007/09/26 APPR: FSM TH 2007/09/26 | QUALITY SYMBOLS = 0 = 0.05 = 0.20 = 0.50 ANGULAR ±1/2° | GENERAL TOLERANCES (UNLESS SPECIFIED) | | DIMENSION STYLE IN/MM | | SCALE 4:1 | DESIGN UNITS METRIC | THIRD ANGLE PROJECTION | |
| | | 4 PLACES ± --- ± --- 3 PLACES ± --- ± .015 2 PLACES ± 0.38 ± .020 1 PLACE ± 0.50 ± --- | DRAWN BY GEP | DATE 1994/07/26 | TITLE MINI-FIT VERT HDR ASSY W & W/O PEGS/DRAIN HOLES SINGLE AND DUAL ROW | MOLEX INCORPORATED | | DOCUMENT NO. SDA-44472-**** | SHEET NO. 2 OF 10 |
| | | DRAFT WHERE APPLICABLE MUST REMAIN WITHIN DIMENSIONS | SEE CHARTS | | THIS DRAWING CONTAINS INFORMATION THAT IS PROPRIETARY TO MOLEX INCORPORATED AND SHOULD NOT BE USED WITHOUT WRITTEN PERMISSION | | | | |
| | | | | | | | | | |

12 11 10 9 8 7 6 5 4 3 2 1

